



Features :

- No load power consumption < 0.7W
- High operating temperature up to 60°C
- Protection: Short circuit/overload/over voltage
- Cooling by free air convection
- High efficiency, long life and high reliability
- 100% full load burn-in test
- 3 years warranty

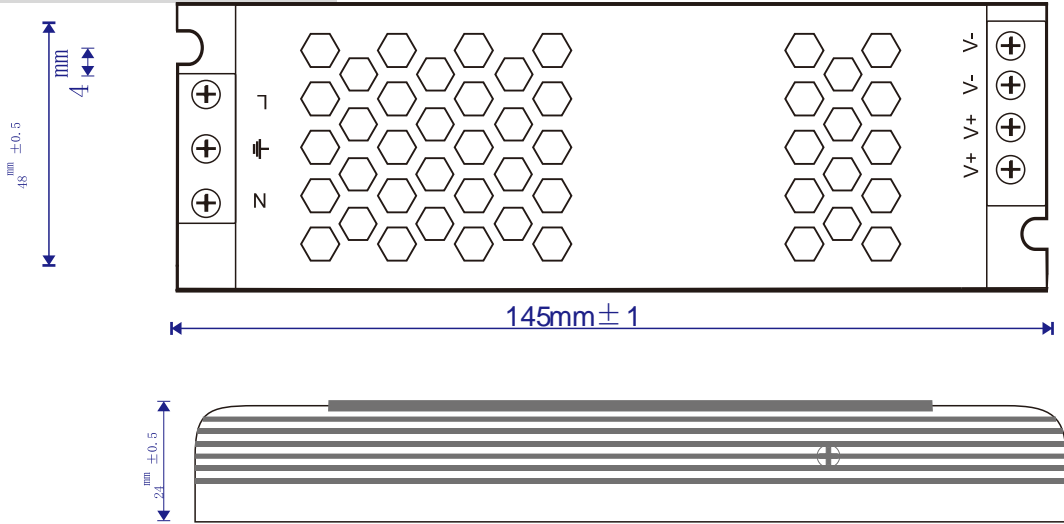
Specification

CE RoHS BIS SELV IP20

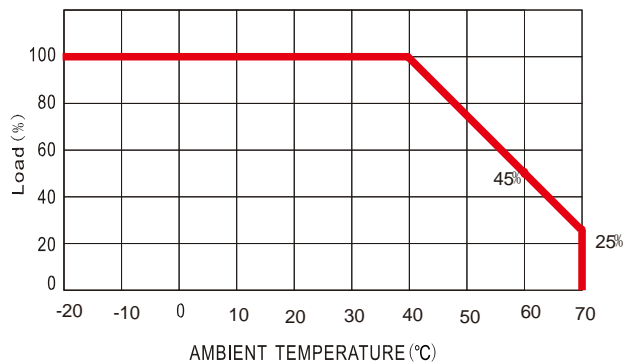
Model		HRL-100W-12V	HRL-100W-24V
Output	DC Voltage	12V	24V
	Voltage Tolerance	±0.5V	
	Rated Current	0 -8.3A	0-4.2 A
	Rated Power	100W	100W
	Ripple & Noise	150mVp-p	150mVp-p
Input	Voltage Range	100-240VAC	
	Frequency Range	50 _60HZ	
	Power Factor	PF≥0.5/220VAC (Full loading)	
	Full Load Efficiency(Typ.)	83.8% (230AC)	88.5% (230AC)
	AC Current (Max.)	0.9A/100AC, 0.62A/230VAC	
	Leakage current	<0.8mA/260VAC	
	Inrush current	≤ 60A	
Protection	Short Circuit	Protection type: Hiccup mode, recovers automatically after fault condition is removed.	
	Over Load	110 ~ 140% rated output power	
		Hiccup mode, recovers automatically after fault condition is removed	
	VIBRATION	10-500Hz 2G10min	
BURNT-IN TEST	Input voltage: 220V 50Hz rated output current 25°C Burn-in 2h		
Environment	Over temperature	100°C±10 °C shut down o/p voltage, re-power on to recover	
	Working TEMP.	-20~ +50°C	
	Working Humidity	20~60%RH, non-condensing	
	Storage TEM.,Humidity	-30~+85%, 10~95%RH non-condensing	
	START RISE HOLD TIME	1500ms, 20ms, 50ms/230VAC at full load	
Safety & EMC	Vibration	10 -500Hz, 5G 10min./1cycle, period for 60min.each along X,Y,Z axes.	
	Safety standards	CE Mark	
	Withstand voltage	I/P-O/P:1.5KVAC I/P-GND:1.5KVAC	
	EMC Immunity	EN55015:2013;EN61547:2009; EN61000-3-2:2014; EN61000-3-3:2013	
Others	Weight	0.185Kg	
	Dimension	145x48x24 mm (LxWxH)	
	Packing	120pcs/CTN	

Notes	<ol style="list-style-type: none"> 1. All parameters NOT specially mentioned are measured at 230VAC input , rated load and 25°C of ambient temperature. 2. Tolerance: includes set up tolerance, line regulation and load regulation . 3. The power supply is considered as a component that will be operated in combination with final Equipment. Since EMC performance will be affected by the complete installation, the final equipment manufactures must be-qualify EMC Directive on the complete installation again.
--------------	---

Mechan ca Spec f cat on



Derating Curve



Package

DIMENSION	145x48x24mm (LxWxH)
CARTON QUANTITY	120pcs/CTN
CARTON SIZE	42x32x29(cm)
WEIGHT	0.185Kg

